

TR C 465-1250

GROUND TYPE CONDENSING BOILERS

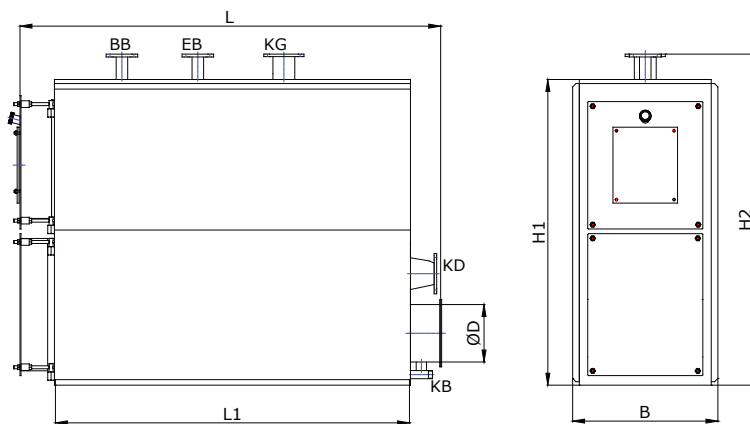
Three-pass condensing boiler



Compact design, easy assembly, high efficiency

- * This boiler has been designed in accordance with heat layering principle: While the upper part contains high temperature water, the bottom part where condensation takes place contains high amount of low temperature water
- * Boiler has been designed to relieve thermal expansions
- * Thermal insulation in the Boiler body, insulated sheet plates and hatch is obtained using high density glass wool and ceramic fiber material
- * All surfaces of the boiler in contact with water is made of stainless steel
- * Control panel shall be ordered separately
- * Low exhaust gas emmüision
- * Low body temperature and quick response to demand
- * Integrated condensation drain

TR C 465-1250 Condensing Hot Water Boiler with Three-Pass and two superposed cylindrical bodies



Technical Specifications	Unit	465	625	810	1000	1250
Capacity (80/60 °C)	kW	412	565	732	903	1129
Capacity (50/30 °C)	kW	465	625	810	1000	1250
Capacity (%30)	kW	137	188	243	300	375
L	mm	2230	2270	2673	2510	2907
L1	mm	1820	1820	2220	2010	2420
B	mm	710	790	790	860	860
H1	mm	1643	1703	1703	1890	1890
H2	mm	1745	1800	1800	1985	1985
ØD	mm	300	300	300	400	400
Water Outlet (KG)	DN	100	100	125	125	150
Water Inlet (KD)	DN	100	100	125	125	150
DHW Tank Inlet (BB)	DN	50	50	65	65	80
Safety Connection Outlet (EB)	DN	50	50	65	65	80
Boiler Drain Outlet (KB)	inch	1 1/4"	1 1/4"	1 1/4"	1 1/4"	1 1/4"
Water Volume	lt	520	540	720	810	960
Counter pressure	mbar	4,1	4,6	5,1	5,7	6,4